

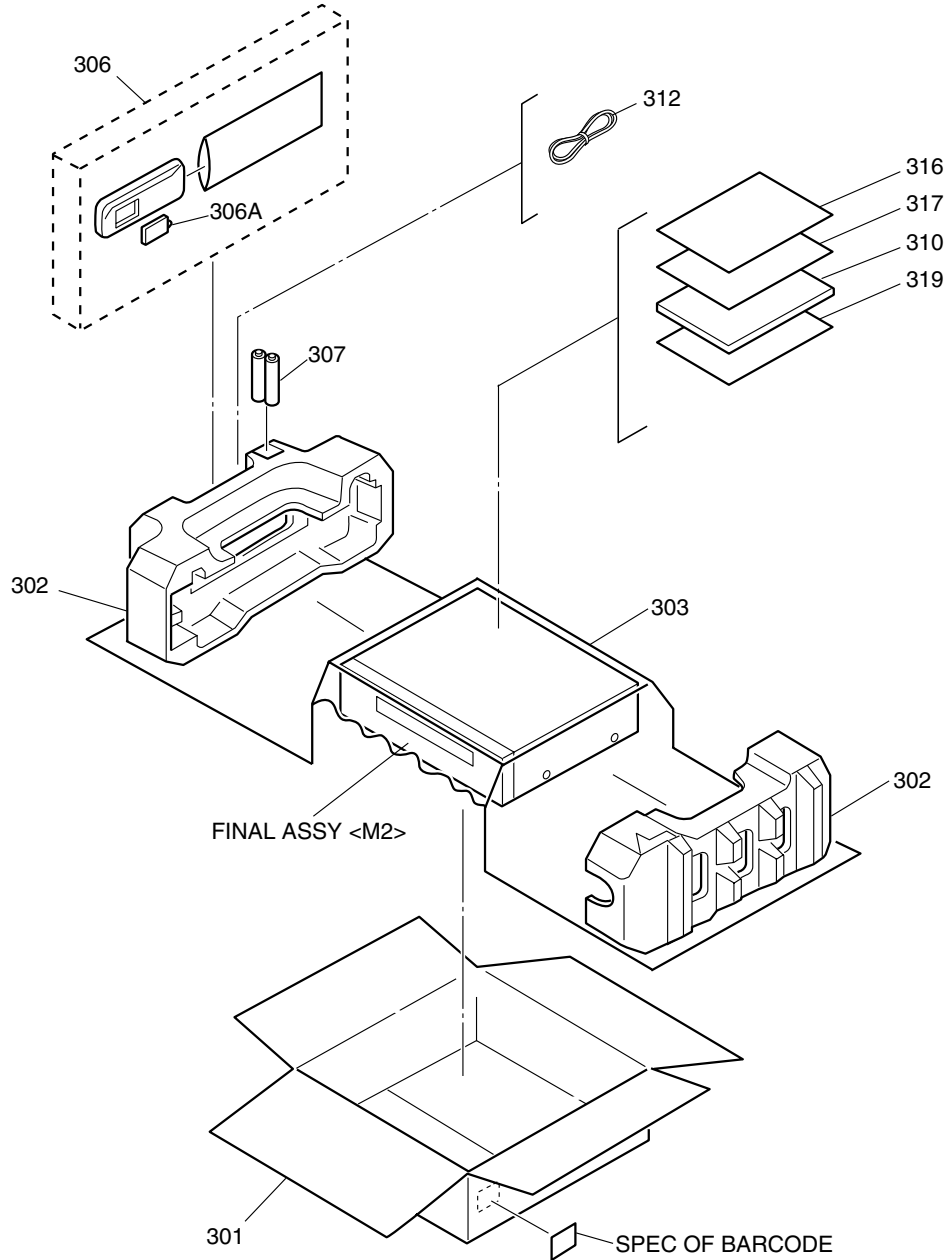
SECTION 5 PARTS LIST

SAFETY PRECAUTION

Parts identified by the \triangle symbol are critical for safety. Replace only with specified part numbers.

5.1 PACKING AND ACCESSORY ASSEMBLY <M1>

The instruction manual to be provided with this product will differ according to the destination.



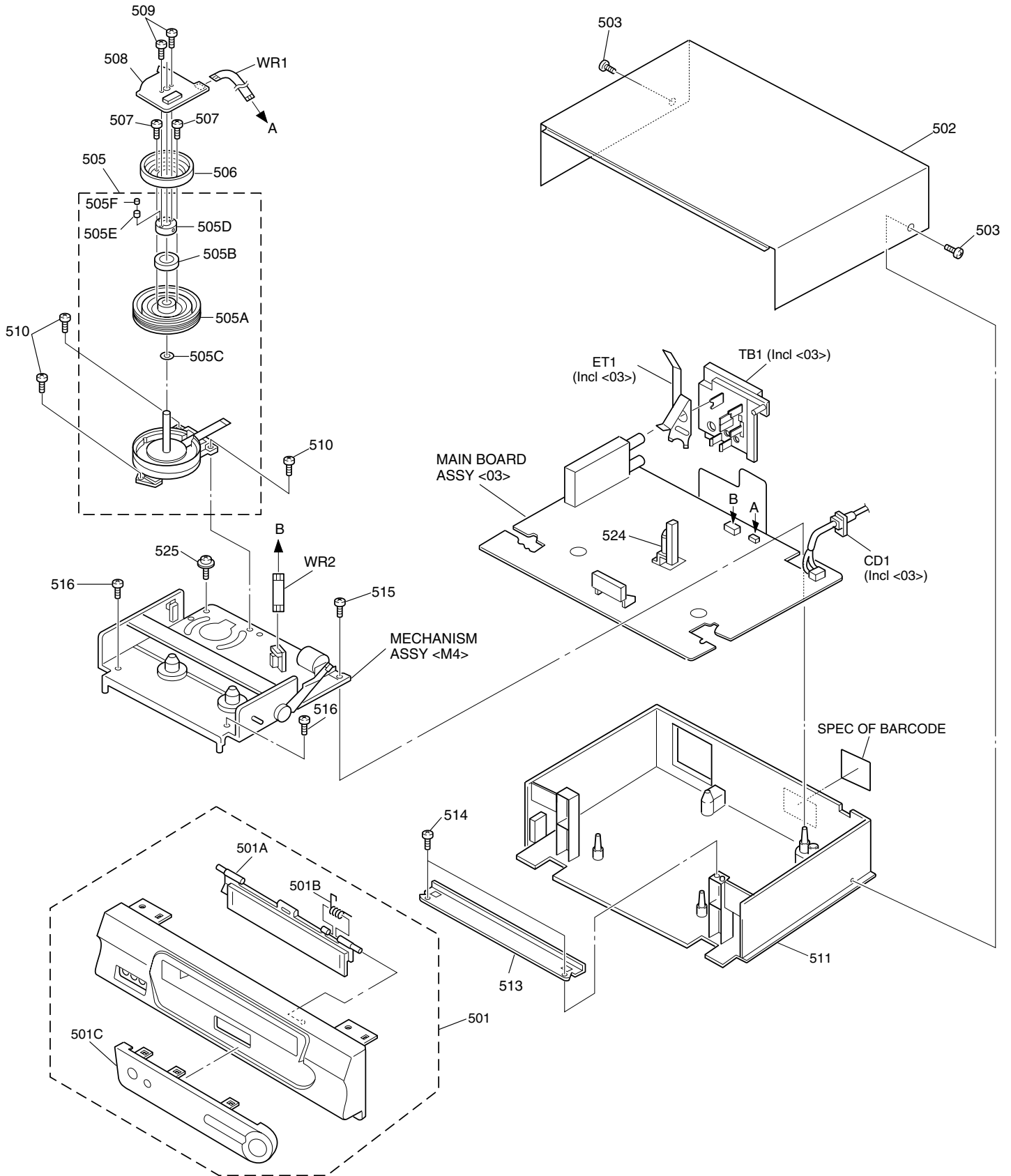
# \triangle	REF No.	PART No.	PART NAME, DESCRIPTION	# \triangle	REF No.	PART No.	PART NAME, DESCRIPTION

PACKING AND ACCESSORY ASSEMBLY <M1>							
	301	LP30836-001A	PACKING CASE		306A	LP40610-001A	COVER(BATTERY)
	302	LP30777-001B	CUSHION ASSY		307	-	BATTERY,X2("AA"TYPE)
	303	LP30904-002A	SHEET	\triangle	310	LPT0471-001A	INST BOOK(EN)
	306	LP20878-009A	REMOTE CONTROLLER	\triangle		LPT0471-003A	INST BOOK(FR),VP59U(C)
					312	PEAC0294-04	RF CABLE
					316	BT-52004-1	WARRANTY CARD,VP59U(C)
					317	BT-51020-2	REGIST.CARD,VP59U
					319	BT-20071B	SER.NET CARD,VP59U(C)

5.2 FINAL ASSEMBLY <M2>

BEWARE OF BOGUS PARTS

Parts that do not meet specifications may cause trouble in regard to safety and performance. We recommend that genuine JVC parts be used.



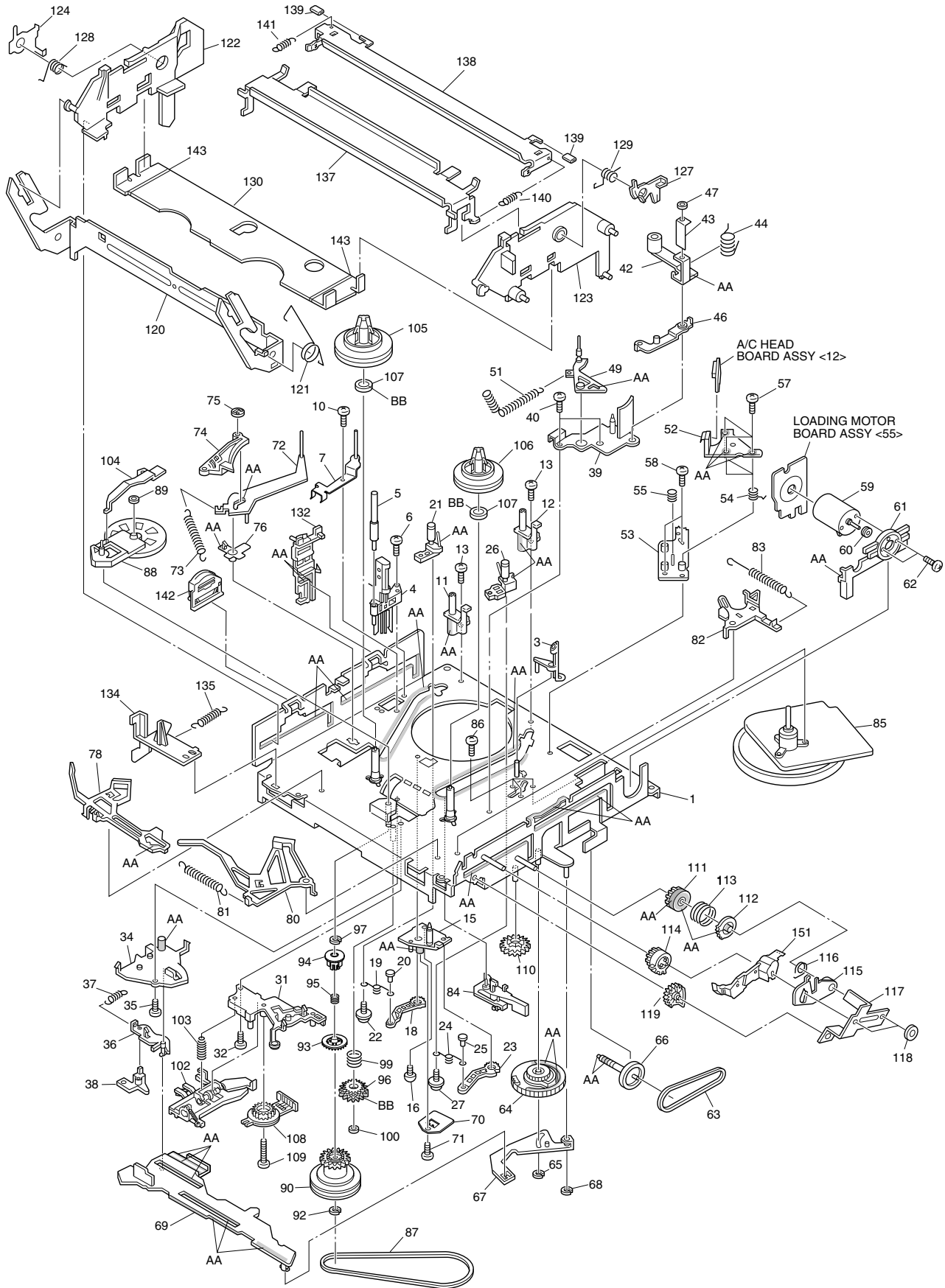
△ REF No. PART No. PART NAME, DESCRIPTION

△ REF No. PART No. PART NAME, DESCRIPTION

FINAL ASSEMBLY <M2>

△ 501	LP10348-001A	FRONT PANEL ASSY
501A	LP20977-001A	CASSETTE DOOR
501B	PQ46448	TORSION SPRING
501C	LP20976-001A	DISPLAY WINDOW
△ 502	LP10352-002A	TOP COVER
503	QYTDSF3010M	SCREW,X2 TOP COVER(SIDE)
505	LP20981-001A	DRUM SUB ASSY
505A	LP20982-001A	UPPER DRUM ASSY
505B	PDM4439	CAP
505C	PDM4444-19-2	WASHER
505D	LP40572-001A	COLLAR ASSY
505E	LP40323-001A	CONTACT
505F	LP30004-014A	COMPRESION SPRING
506	PDZ0179-1-4	ROTOR ASSY
507	QYSPSP3006Z	SCREW,X2
△ 508	QAR0169-001	STATOR ASSY
509	QYSPSPH2606Z	SCREW,X2
510	QYTDST2610Z	SCREW,X3 DRUM
△ 511	LP10350-003B	BOTTOM CHASSIS
513	LP30818-001A	BRACKET(CHASSIS)
514	QYTDSF3010Z	SCREW,X2
515	QYTDSF4012Z	SCREW,MECHA
516	QYTDSF3010Z	SCREW,X2 MECHA
524	LP40253-001B	STOPPER
525	PQ40413	SPECIAL SCREW,MECHA
WR1	QUQ212-0519CG	FFC WIRE,DRUM CN3002
WR2	WJT0005-002A	E-CARD WIRE,A/C HEAD CN2001

5.3 MECHANISM ASSEMBLY <M4>



Classification	Part No.	Symbol in drawing
Grease	KYODO-SH-P	AA
Oil	COSMO-HV56	BB

NOTE:The section marked in **AA** and **BB** indicate lubrication and greasing areas.

#	△	REF No.	PART No.	PART NAME, DESCRIPTION	#	△	REF No.	PART No.	PART NAME, DESCRIPTION

MECHANISM ASSEMBLY <M4>									
1			LP20821-006A	MAIN DECK ASSY	73			LP30003-010A	TENSION SPRING
3			LP30492-002B	GIDE POLE GUARD	74			LP40109-003D	TENSION BRAKE ASSY
4			NAH0001-001	FULL ERASE HEAD	75			PQ46302-1-3	ADJUST PIN
5			LP40098-001B	GUIDE POLE(SUPPLY)	76			LP30232-002A	TENSION ARM BEARING
6			QYTDST2608Z	SCREW,FE HEAD	78			LP40532-008B	MAIN BRAKE ASSY (SUPPLY)
7			LP40637-002A	TENSION STUD BASE ASSY	80			LP40111-011A	MAIN BRAKE ASSY (TAKE UP)
10			QYTDST2606Z	SCREW	81			LP30003-026A	TENSION SPRING
11			LP30409-002C	UV CATCHER 2	82			LP40112-001F	SUB BRAKE ASSY(TAKE UP)
12			LP30409-002C	UV CATCHER 2	83			LP40357-002A	TENSION SPRING
13			QYTPST2606Z	SCREW,X2	84			LP40461-001A	CAPSTAN BRAKE ASSY
15			LP30223-003C	LOADING ARM GEAR SHAFT	85			QAR0087-005	CAPSTAN MOTOR
16			QYTDST2606Z	SCREW	86			QYTDSF2606M	SCREW,X3
18			LP30224-001B	LOADING ARM GEAR(SUPPLY)	87			LP30005-007A	BELT,CAPSTAN MOTOR
19			LP40099-001A	TORSION ARM	88			LP40114-012A	IDLER ARM ASSY
20			LP40100-001A	PIN	89			LP40599-001A	WASHER
21			LP40101-006A	POLE BASE ASSY(SUPPLY)	90			LP40593-001A	CLUTCH UNIT 3
22			QYSPSTG2606Z	SCREW	92			PQM30017-47	SLIT WASHER
23			LP40103-002B	LOADING ARM GEAR(TAKE UP)	93			LP30696-002A	CLUTCH GEAR 4
24			LP40099-001A	TORSION ARM	94			LP30697-003A	COUPLING GEAR
25			LP40100-001A	PIN	95			LP40554-002A	COMPRESSION SPRING
26			LP40104-006A	POLE BASE ASSY(TAKE UP)	96			LP40442-001A	DIRECT GEAR
27			QYSPSTG2606Z	SCREW	97			LP30017-019A	SPACER
31			LP20233-004B	ROTARY ENCODER GUIDE	99			LP40483-002A	COMPRESSION SPRING
32			QYTPST2606Z	SCREW	100			LP30016-001A	SLIT WASHER
34			LP30226-004E	CONTROL PLATE GUIDE	102			LP40484-001J	CHANGE LEVER ASSY
35			QYTPST2605Z	SCREW	103			LP40512-002B	COMPRESSION SPRING
36			LP30249-003B	TAKE UP LEVER	104			LP30236-002C	IDLER LEVER
37			LP30003-006A	TENSION SPRING	105			LP20237-001B	REEL DISK (SUPPLY)
38			LP40119-002A	TAKE UP HEAD	106			LP20238-001B	REEL DISK (TAKE UP)
39			LP20234-004B	LID GUIDE	107			LP30017-015A	SPACER,X2
40			QYTDST2606Z	SCREW,X2	108			QSW0554-003	ROTARY ENCODER
42			LP40105-002A	PINCH ROLLER ARM ASSY	109			QYTPST2620Z	SCREW
43			LP40478-001A	PINCH ROLLER SHEET2	110			LP30237-002B	CASSETTE GEAR
44			LP40148-002A	TORSION SPRING	111			LP30239-002G	LIMIT GEAR(1)
46			LP40149-001C	PRESS LEVER ASSY	112			LP30240-002G	LIMIT GEAR(2)
47			LP30016-002A	SLIT WASHER	113			LP40136-001E	TORSION SPRING
49			LP40106-007A	GUIDE ARM ASSY	114			LP30242-002A	RELAY GEAR
51			LP40134-002A	TENSION SPRING	115			LP30339-002E	OPENER GUIDE
52			QAH0058-001	AC HEAD	116			LP40545-001A	TORSION SPRING
53			LP30228-001A	HEAD BASE	117			LP40214-001B	C.H.BRACKET
54			LP30004-013A	COMPRESSION SPRING,X3	118			PQM30017-47	SLIT WASHER,X2
55			LP40236-001A	COMPRESSION SPRING	119			LP30243-001D	DRIVE GEAR
57			LP40213-002B	SPECIAL SCREW,X3	120			LP20240-001G	DRIVE ARM
58			QYTDST2608Z	SCREW,X2	121			LP40137-001A	TORSION SPRING
59			QAR0023-001	LOADING MOTOR	122			LP10081-002L	SIDE HOLDER(L)
60			PQ43546-1-2	MOTOR PULLEY	123			LP10082-002M	SIDE HOLDER(R)
61			LP30230-001B	MOTOR GUIDE	124			LP30255-006A	LOCK LEVER(L)
62			QYTPSP3003Z	SCREW,X2	127			LP30256-001H	LOCK LEVER(R)
63			LP30005-003A	BELT,LOADING MOTOR	128			LP40168-003A	TORSION SPRING(L)
64			LP20791-002D	CONTROL CAM	129			LP40218-001B	TORSION SPRING(R)
65			PQM30017-24	SLIT WASHER	130			LP30257-001G	CASSETTE HOLDER
66			LP40120-001A	WORM GEAR	132			LP30244-002G	GUIDE RAIL
67			LP40107-002A	LINK LEVER ASSY	134			LP30245-002F	REC SAFETY LEVE
68			PQM30017-24	SLIT WASHER	135			LP30003-004A	TENSION SPRING
69			LP10201-003E	CONTROL PLATE	137			LP20578-001C	TOP GUIDE
70			LP40379-001B	CONTROL BRACKET(1)	138			LP30500-001C	HOLD PLATE
71			QYTDSF2608M	SCREW	139			LP40450-003A	PAD,X2
72			LP40108-002A	TENSION ARM ASSY	140			LP30003-025B	TENSION SPRING
					141			LP30003-024A	TENSION SPRING
					142			LP40481-003A	ROLLER CAM ASSY
					143			LP30019-014A	PAD,X2
					151			LP20324-003B	DOOR OPENER

5.4 ELECTRICAL PARTS LIST

#	△ REF No.	PART No.	PART NAME, DESCRIPTION

MAIN BOARD ASSEMBLY <03>			
	PW1	LPA10130-01B1	MAIN BOARD ASSY
	IC1	JCP8021-NVD	IC
		or JCP8021-NVD-2	IC
△	IC2201	AN3663FBP	IC
	IC3001	MN101D02GWA	IC
	IC3002	BA6956AN	IC
	IC3004	S-24C04BFJ-X	IC
		or X24C04S	IC
		or 24LC04B/SN-X	IC
		or AT24C04N-10SC-X	IC
		or BR24C04F-W-X	IC
	IC5301	L5431	IC
		or MM1431AT	IC
	IC7042	GP1U291Q	IR DETECT UNIT
		or PIC-28143LJ	IR DETECT UNIT
		or PNA4652M00YC	IR DETECT UNIT
	Q22	2SC4081/QRS/-X	TRANSISTOR
		or 2PC4081/R/-X	TRANSISTOR
	Q32	DTC144WU	TRANSISTOR
		or PDTC144WU	TRANSISTOR
		or RN1309	TRANSISTOR
		or UN521E	TRANSISTOR
	Q38	2SC4081/QRS/-X	TRANSISTOR
		or 2SD1819A/QRS/-X	TRANSISTOR
		or 2PC4081/R/-X	TRANSISTOR
	Q901	2SA1576A/QRS/-X	TRANSISTOR
		or 2PA1576/R/-X	TRANSISTOR
	Q2001	2SC4081/QRS/-X	TRANSISTOR
		or 2SD1819A/QRS/-X	TRANSISTOR
		or 2PC4081/R/-X	TRANSISTOR
	Q2002	2SC4081/QRS/-X	TRANSISTOR
		or 2PC4081/R/-X	TRANSISTOR
		or 2SD1819A/QRS/-X	TRANSISTOR
	Q2003	DTA144WU	TRANSISTOR
		or PDTA144WU	TRANSISTOR
		or RN2309	TRANSISTOR
		or UN511E	TRANSISTOR
	Q2051	2SC4081/QRS/-X	TRANSISTOR
		or 2SD1819A/QRS/-X	TRANSISTOR
		or 2PC4081/R/-X	TRANSISTOR
	Q2052	2SA1576A/QR/-X	TRANSISTOR
		or 2PA1576/R/-X	TRANSISTOR
		or 2SB1218A/QR/-X	TRANSISTOR
	Q2053	DTC144WU	TRANSISTOR
		or PDTC144WU	TRANSISTOR
		or RN1309	TRANSISTOR
		or UN521E	TRANSISTOR
	Q2054	2SA1576A/QR/-X	TRANSISTOR
		or 2SB1218A/QR/-X	TRANSISTOR
		or 2PA1576/R/-X	TRANSISTOR
	Q2055	DTC144WU	TRANSISTOR
		or PDTC144WU	TRANSISTOR
		or RN1309	TRANSISTOR
		or UN521E	TRANSISTOR
	Q2201	DTA144WU	TRANSISTOR
		or PDTA144WU	TRANSISTOR
		or RN2309	TRANSISTOR

#	△ REF No.	PART No.	PART NAME, DESCRIPTION
		or UN511E	TRANSISTOR
	Q2202	DTC144WU	TRANSISTOR
		or PDTC144WU	TRANSISTOR
		or RN1309	TRANSISTOR
		or UN521E	TRANSISTOR
	Q2203	2SC4081/QRS/-X	TRANSISTOR
		or 2PC4081/R/-X	TRANSISTOR
		or 2SD1819A/QRS/-X	TRANSISTOR
	Q2204	2SC4081/QRS/-X	TRANSISTOR
		or 2SD1819A/QRS/-X	TRANSISTOR
		or 2PC4081/R/-X	TRANSISTOR
	Q2251	DTA144WU	TRANSISTOR
		or PDTA144WU	TRANSISTOR
		or RN2309	TRANSISTOR
		or UN511E	TRANSISTOR
	Q2252	DTC114EU	TRANSISTOR
		or PDTC114EU	TRANSISTOR
		or RN1302	TRANSISTOR
		or UN5211	TRANSISTOR
	Q3002	PTZ-NV16A	PHOTO TRANSISTOR
	Q3006	2SC4081/QRS/-X	TRANSISTOR
	Q3007	2SC4081/QRS/-X	TRANSISTOR
	Q4001	UN5211	TRANSISTOR
		or RN1302	TRANSISTOR
		or DTC114EU	TRANSISTOR
		or PDTC114EU	TRANSISTOR
	Q4002	2SD1819A/QRS/-X	TRANSISTOR
		or 2PC4081/R/-X	TRANSISTOR
		or 2SC4081/QRS/-X	TRANSISTOR
	Q5101	2SK2043-CB14	FE TRANSISTOR
		or 2SK2043	FE TRANSISTOR
		or 2SK2324	POWER MOS FET
		or 2SK2324-LT	POWER MOS FET
	Q5102	2SD2144S/UV/-T	TRANSISTOR
	Q5303	2SD1819A/RS/-X	TRANSISTOR
		or 2PC4081/R/-X	TRANSISTOR
		or 2SC4081/RS/-X	TRANSISTOR
	Q5304	2SD2144S/UV/-T	TRANSISTOR
	Q5305	DTA114EU	TRANSISTOR
		or RN2302	TRANSISTOR
		or UN5111	TRANSISTOR
		or PDTA114EU	TRANSISTOR
	Q5306	DTC114EU	TRANSISTOR
		or PDTC114EU	TRANSISTOR
		or RN1302	TRANSISTOR
		or UN5211	TRANSISTOR
	Q5321	2SC3616/ML/-T	TRANSISTOR
	Q6030	2SB1218A/QR/-X	TRANSISTOR
		or 2PA1576/R/-X	TRANSISTOR
		or 2SA1576A/QR/-X	TRANSISTOR
	Q7001	DTA143TU	TRANSISTOR
	Q7002	DTA143TU	TRANSISTOR
	Q7003	DTA143TU	TRANSISTOR
	Q7004	DTA143TU	TRANSISTOR
	Q7005	DTA143TU	TRANSISTOR
	Q7006	DTC143TU	TRANSISTOR
	Q7007	DTC143TU	TRANSISTOR
	Q7008	DTC143TU	TRANSISTOR
	Q7009	DTC143TU	TRANSISTOR
	Q7010	DTC143TU	TRANSISTOR
	Q7011	DTC143TU	TRANSISTOR

#	△	REF No.	PART No.	PART NAME, DESCRIPTION		#	△	REF No.	PART No.	PART NAME, DESCRIPTION		
			Q7012	DTC143TU	TRANSISTOR				R49	NRSA63J-561X	MG RESISTOR	560Ω,1/16W
			D3001	LNB2301L01VI	LE DIODE				R66	NRSA63J-104X	MG RESISTOR	100kΩ,1/16W
			D3002	1SS133	DIODE				R77	NRSA63J-103X	MG RESISTOR	10kΩ,1/16W
				or 1SS270A	DIODE				R90	NRSA63J-471X	MG RESISTOR	470Ω,1/16W
			D3005	11ES2	DIODE				R92	NRSA63J-152X	MG RESISTOR	1.5kΩ,1/16W
				or 1A3G	DIODE				R93	NRSA63J-102X	MG RESISTOR	1kΩ,1/16W
			D3016	MTZJ3.9B	ZENER DIODE				R104	NRSA63J-682X	MG RESISTOR	6.8kΩ,1/16W
				or RD3.9ES/B2/-T2	ZENER DIODE				R118	NRSA63J-0R0X	MG RESISTOR	0Ω,1/16W
			D5001	S1WB/A/60-4102	BRIDGE DIODE				R201	NRSA02J-332X	MG RESISTOR	3.3kΩ,1/10W
				or S1WB(A)60F4072X	BRIDGE DIODE				R202	NRSA02J-222X	MG RESISTOR	2.2kΩ,1/10W
				or S1WB/A/60-X	BRIDGE DIODE				R901	NRSA02J-750X	MG RESISTOR	75Ω,1/10W
			D5101	AU01	FR DIODE				R904	QRE123J-331X	RESISTOR	330Ω,1/2W
				or ERA18-04-T2	FR DIODE				R905	NRSA02J-101X	MG RESISTOR	100Ω,1/10W
				or 1SR153-400-T2	FR DIODE				R912	NRSA02J-750X	MG RESISTOR	75Ω,1/10W
				or 10ELS4	FR DIODE				R2003	NRSA02J-101X	MG RESISTOR	100Ω,1/10W
			D5102	AU01	FR DIODE				R2007	NRSA02J-123X	MG RESISTOR	12kΩ,1/10W
				or 1SR153-400-T2	FR DIODE				R2010	NRSA02J-123X	MG RESISTOR	12kΩ,1/10W
				or 10ELS4	FR DIODE				R2013	NRSA63J-682X	MG RESISTOR	6.8kΩ,1/16W
				or ERA18-04-T2	FR DIODE				R2014	NRSA63J-224X	MG RESISTOR	220kΩ,1/16W
			D5103	1SS133	DIODE				R2015	NRSA63J-181X	MG RESISTOR	180Ω,1/16W
				or 1SS270A	DIODE				R2016	NRSA63J-473X	MG RESISTOR	47kΩ,1/16W
			D5105	1SS133	DIODE				R2017	NRSA63J-123X	MG RESISTOR	12kΩ,1/16W
				or 1SS270A	DIODE				R2018	NRSA63J-472X	MG RESISTOR	4.7kΩ,1/16W
			D5203	AU01Z	FR DIODE				R2019	NRSA63J-472X	MG RESISTOR	4.7kΩ,1/16W
				or ERA18-02-T2	FR DIODE				R2024	NRSA63J-332X	MG RESISTOR	3.3kΩ,1/16W
				or PG104RS	FR DIODE				R2053	NRSA63J-272X	MG RESISTOR	2.7kΩ,1/16W
				or 1SR153-400-T2	FR DIODE				R2054	NRSA02J-123X	MG RESISTOR	12kΩ,1/10W
				or 10ELS2	FR DIODE				R2055	NRSA02J-3R3X	MG RESISTOR	3.3Ω,1/10W
			D5204	AU01Z	FR DIODE				R2056	NRSA02J-820X	MG RESISTOR	82Ω,1/10W
				or ERA18-02-T2	FR DIODE				R2057	NRSA02J-473X	MG RESISTOR	47kΩ,1/10W
				or PG104RS	FR DIODE				R2058	NRSA02J-183X	MG RESISTOR	18kΩ,1/10W
				or 1SR153-400-T2	FR DIODE				R2059	NRSA02J-473X	MG RESISTOR	47kΩ,1/10W
				or 10ELS2	FR DIODE				R2060	NRSA02J-183X	MG RESISTOR	18kΩ,1/10W
			D5207	AK04	DIODE				R2201	NRSA02J-473X	MG RESISTOR	47kΩ,1/10W
				or 1S4	SB DIODE				R2202	NRSA02J-682X	MG RESISTOR	6.8kΩ,1/10W
				or 11EQS04	SB DIODE				R2205	NRSA02J-473X	MG RESISTOR	47kΩ,1/10W
			D5210	AU01Z	FR DIODE				R2206	NRSA02J-682X	MG RESISTOR	6.8kΩ,1/10W
				or ERA18-02-T2	FR DIODE				R2209	NRSA02J-101X	MG RESISTOR	100Ω,1/10W
				or 1SR153-400-T2	FR DIODE				R2210	NRSA02J-472X	MG RESISTOR	4.7kΩ,1/10W
				or 10ELS2	FR DIODE				R2211	NRSA02J-332X	MG RESISTOR	3.3kΩ,1/10W
				or PG104RS	FR DIODE				R2212	NRSA02J-332X	MG RESISTOR	3.3kΩ,1/10W
			D5301	MTZJ15C	ZENER DIODE				R2213	NRSA02J-472X	MG RESISTOR	4.7kΩ,1/10W
				or RD15ES/B3/-T2	ZENER DIODE				R2214	NRSA02J-101X	MG RESISTOR	100Ω,1/10W
			D5302	QUY153-050Y	IM BUS WIRE				R2215	QRE141J-221Y	RESISTOR	220Ω,1/4W
			D5303	RD5.1JS/B2/-T2	ZENER DIODE				R2216	NRSA02J-102X	MG RESISTOR	1kΩ,1/10W
				or MA4051N/M/-T2	ZENER DIODE				R2217	NRSA02J-472X	MG RESISTOR	4.7kΩ,1/10W
			D5304	1SS133	DIODE				R2218	NRSA02J-392X	MG RESISTOR	3.9kΩ,1/10W
				or 1SS270A	DIODE				R2219	NRSA02J-102X	MG RESISTOR	1kΩ,1/10W
			D5307	QUY160-100Y	IM BUS WIRE				R2220	NRSA02J-102X	MG RESISTOR	1kΩ,1/10W
			D5316	QUY160-100Y	IM BUS WIRE				R2221	QRE141J-102Y	RESISTOR	1kΩ,1/4W
			D6002	HZ30-2L-T2	ZENER DIODE				R2222	NRSA02J-0R0X	MG RESISTOR	0Ω,1/10W
				or HZ30-2LTD	Z DIODE (M)				R2225	NRSA02J-0R0X	MG RESISTOR	0Ω,1/10W
			R1	NRSA63J-682X	MG RESISTOR	6.8kΩ,1/16W			R2251	NRSA63J-222X	MG RESISTOR	2.2kΩ,1/16W
			R2	NRSA63J-152X	MG RESISTOR	1.5kΩ,1/16W			R2252	NRSA63J-152X	MG RESISTOR	1.5kΩ,1/16W
			R3	NRSA63J-822X	MG RESISTOR	8.2kΩ,1/16W			R2253	QRE141J-101Y	RESISTOR	100Ω,1/4W
			R6	NRSA63J-273X	MG RESISTOR	27kΩ,1/16W			R2254	NRSA63J-102X	MG RESISTOR	1kΩ,1/16W
			R7	NRSA63J-821X	MG RESISTOR	820Ω,1/16W			R2255	NRSA63J-273X	MG RESISTOR	27kΩ,1/16W
			R8	NRSA63J-0R0X	MG RESISTOR	0Ω,1/16W			R3001	NRSA02J-0R0X	MG RESISTOR	0Ω,1/10W
			R9	NRSA63J-0R0X	MG RESISTOR	0Ω,1/16W			R3017	NRSA02J-0R0X	MG RESISTOR	0Ω,1/10W
			R12	QUY153-050Y	IM BUS WIRE				R3018	NRSA02J-0R0X	MG RESISTOR	0Ω,1/10W
			R37	NRSA63J-0R0X	MG RESISTOR	0Ω,1/16W			R3021	QUY160-100Y	IM BUS WIRE	

#	△ REF No.	PART No.	PART NAME, DESCRIPTION	#	△ REF No.	PART No.	PART NAME, DESCRIPTION
	R3027	QUY160-100Y	IM BUS WIRE		R5301	NRSA02J-472X	MG RESISTOR 4.7kΩ,1/10W
	R3028	NRSA63J-102X	MG RESISTOR 1kΩ,1/16W		R5302	NRSA02J-152X	MG RESISTOR 1.5kΩ,1/10W
	R3056	NRSA02J-102X	MG RESISTOR 1kΩ,1/10W		R5303	NRSA02J-152X	MG RESISTOR 1.5kΩ,1/10W
	R3057	NRSA02J-102X	MG RESISTOR 1kΩ,1/10W		R5304	NRSA02J-471X	MG RESISTOR 470Ω,1/10W
	R3060	NRSA02J-0R0X	MG RESISTOR 0Ω,1/10W		R5305	NRSA02J-102X	MG RESISTOR 1kΩ,1/10W
	R3090	NRSA02J-102X	MG RESISTOR 1kΩ,1/10W		R5306	NRSA02J-471X	MG RESISTOR 470Ω,1/10W
	R3114	QRE141J-0R0Y	RESISTOR 0Ω,1/4W		R5308	NRSA02J-471X	MG RESISTOR 470Ω,1/10W
	R3116	NRSA02J-103X	MG RESISTOR 10kΩ,1/10W		R5309	NRSA02J-103X	MG RESISTOR 10kΩ,1/10W
	R3117	NRSA02J-103X	MG RESISTOR 10kΩ,1/10W		R5310	NRSA02J-471X	MG RESISTOR 470Ω,1/10W
	R3201	NRSA02J-332X	MG RESISTOR 3.3kΩ,1/10W		R5311	NRSA02J-473X	MG RESISTOR 47kΩ,1/10W
	R3206	NRSA02J-103X	MG RESISTOR 10kΩ,1/10W		R5312	NRVA02D-332X	CMF RESISTOR 3.3kΩ,1/10W
	R3207	NRSA02J-103X	MG RESISTOR 10kΩ,1/10W		R5313	NRVA02D-362X	CMF RESISTOR 3.6kΩ,1/10W
	R3208	NRSA02J-103X	MG RESISTOR 10kΩ,1/10W		R5314	NRSA02J-332X	MG RESISTOR 3.3kΩ,1/10W
	R3209	QRE141J-181Y	RESISTOR 180Ω,1/4W		R5316	NRVA02D-822X	CMF RESISTOR 8.2kΩ,1/10W
	R3211	NRSA02J-183X	MG RESISTOR 18kΩ,1/10W		R5332	QRE141J-222Y	RESISTOR 2.2kΩ,1/4W
	R3212	NRSA02J-181X	MG RESISTOR 180Ω,1/10W		R6020	NRSA02J-102X	MG RESISTOR 1kΩ,1/10W
	R3213	QRE141J-273Y	RESISTOR 27kΩ,1/4W		R6021	NRSA02J-102X	MG RESISTOR 1kΩ,1/10W
	R3214	NRSA02J-181X	MG RESISTOR 180Ω,1/10W		R6030	NRSA02J-332X	MG RESISTOR 3.3kΩ,1/10W
	R3215	NRSA02J-273X	MG RESISTOR 27kΩ,1/10W		R6031	QUY153-050Y	IM BUS WIRE
	R3216	NRSA02J-474X	MG RESISTOR 470kΩ,1/10W		R6050	QUY160-100Y	IM BUS WIRE
	R3217	NRSA02J-334X	MG RESISTOR 330kΩ,1/10W		R6054	NRSA02J-102X	MG RESISTOR 1kΩ,1/10W
	R3218	NRSA02J-562X	MG RESISTOR 5.6kΩ,1/10W		R6502	NRSA02J-332X	MG RESISTOR 3.3kΩ,1/10W
	R3219	QRE141J-103Y	RESISTOR 10kΩ,1/4W		R7001	QRE141J-331Y	RESISTOR 330Ω,1/4W
	R3220	NRSA02J-562X	MG RESISTOR 5.6kΩ,1/10W		R7002	NRSA02J-331X	MG RESISTOR 330Ω,1/10W
	R3222	NRSA02J-471X	MG RESISTOR 470Ω,1/10W		R7003	NRSA02J-331X	MG RESISTOR 330Ω,1/10W
	R3223	NRSA63J-105X	MG RESISTOR 1MΩ,1/16W		R7004	NRSA02J-331X	MG RESISTOR 330Ω,1/10W
	R3224	NRSA63J-101X	MG RESISTOR 100Ω,1/16W		R7005	NRSA63J-331X	MG RESISTOR 330Ω,1/16W
	R3226	NRSA02J-103X	MG RESISTOR 10kΩ,1/10W		R7006	NRSA02J-331X	MG RESISTOR 330Ω,1/10W
	R3227	NRSA02J-103X	MG RESISTOR 10kΩ,1/10W		R7007	NRSA63J-331X	MG RESISTOR 330Ω,1/16W
	R3237	NRSA02J-472X	MG RESISTOR 4.7kΩ,1/10W		R7020	NRSA02J-103X	MG RESISTOR 10kΩ,1/10W
	R3238	NRSA02J-472X	MG RESISTOR 4.7kΩ,1/10W		R7021	NRSA02J-122X	MG RESISTOR 1.2kΩ,1/10W
	R3242	NRSA02J-0R0X	MG RESISTOR 0Ω,1/10W		R7022	NRSA02J-182X	MG RESISTOR 1.8kΩ,1/10W
	R3243	NRSA02J-681X	MG RESISTOR 680Ω,1/10W		R7023	NRSA02J-222X	MG RESISTOR 2.2kΩ,1/10W
	R3244	NRSA02J-331X	MG RESISTOR 330Ω,1/10W		R7024	NRSA02J-272X	MG RESISTOR 2.7kΩ,1/10W
	R3245	NRSA02J-682X	MG RESISTOR 6.8kΩ,1/10W		R7030	NRSA02J-103X	MG RESISTOR 10kΩ,1/10W
	R4001	QRE141J-222Y	RESISTOR 2.2kΩ,1/4W		R7031	NRSA02J-122X	MG RESISTOR 1.2kΩ,1/10W
	R4002	QRE141J-562Y	RESISTOR 5.6kΩ,1/4W		R7032	NRSA02J-182X	MG RESISTOR 1.8kΩ,1/10W
	R4003	NRSA02J-222X	MG RESISTOR 2.2kΩ,1/10W		R7033	NRSA02J-222X	MG RESISTOR 2.2kΩ,1/10W
	R4004	QUY160-100Y	IM BUS WIRE		R7034	NRSA02J-272X	MG RESISTOR 2.7kΩ,1/10W
	R4006	NRSA02J-472X	MG RESISTOR 4.7kΩ,1/10W		R7035	NRSA02J-472X	MG RESISTOR 4.7kΩ,1/10W
	R4010	NRSA02J-471X	MG RESISTOR 470Ω,1/10W		R7036	NRSA02J-682X	MG RESISTOR 6.8kΩ,1/10W
	R4011	NRSA02J-471X	MG RESISTOR 470Ω,1/10W		R7037	NRSA02J-563X	MG RESISTOR 56kΩ,1/10W
	R4012	NRSA02J-153X	MG RESISTOR 15kΩ,1/10W		R7046	QUY153-050Y	IM BUS WIRE
	R4013	NRSA02J-102X	MG RESISTOR 1kΩ,1/10W		R7171	NRSA02J-0R0X	MG RESISTOR 0Ω,1/10W
	R4018	NRSA02J-103X	MG RESISTOR 10kΩ,1/10W		R7172	NRSA02J-0R0X	MG RESISTOR 0Ω,1/10W
	R4019	NRSA02J-102X	MG RESISTOR 1kΩ,1/10W		VR6502	QVP0039-223Z	TRIM RESISTOR,T SEP ADJ
	R4020	NRSA02J-102X	MG RESISTOR 1kΩ,1/10W		B6	NRSA63J-0R0X	MG RESISTOR 0Ω,1/16W
	R4021	NRSA02J-103X	MG RESISTOR 10kΩ,1/10W		B23	NRSA63J-0R0X	MG RESISTOR 0Ω,1/16W
	R4024	QRE141J-103Y	RESISTOR 10kΩ,1/4W		B2201	NRSA02J-0R0X	MG RESISTOR 0Ω,1/10W
△	R5001	QRZ9046-475Z	RESISTOR 4.7MΩ,1/2W		B3001	QUY153-050Y	IM BUS WIRE
	R5101	QRE141J-224Y	RESISTOR 220kΩ,1/4W		B5001	QUY160-100Y	IM BUS WIRE
	R5102	QRE141J-224Y	RESISTOR 220kΩ,1/4W		B5002	QUY160-100Y	IM BUS WIRE
	R5103	QRE141J-683Y	RESISTOR 68kΩ,1/4W		B5301	NRSA02J-0R0X	MG RESISTOR 0Ω,1/10W
	R5104	QRG02GJ-683	OMF RESISTOR 68kΩ,2W		B6020	QUY160-075Y	IM BUS WIRE
	R5106	QRT01DJ-R39X	MF RESISTOR 0.39Ω,1W		B7009	NRSA02J-0R0X	MG RESISTOR 0Ω,1/10W
	R5107	QRE121J-331Y	RESISTOR 330Ω,1/2W		C1	NCF31AZ-105X	CAPACITOR 1μF,10V
	R5108	NRSA02J-122X	MG RESISTOR 1.2kΩ,1/10W		C2	NCF31AZ-105X	CAPACITOR 1μF,10V
	R5109	QRE141J-681Y	RESISTOR 680Ω,1/4W		C3	NCF31AZ-105X	CAPACITOR 1μF,10V
	R5110	NRSA02J-224X	MG RESISTOR 220kΩ,1/10W		C4	NCF31AZ-105X	CAPACITOR 1μF,10V
	R5111	NRSA02J-821X	MG RESISTOR 820Ω,1/10W		C5	QKCC1CM-476	E CAPACITOR 47μF,16V
	R5112	NRSA02J-221X	MG RESISTOR 220Ω,1/10W		C6	NCB11EK-104X	CAPACITOR 0.1μF,25V

#	△	REF No.	PART No.	PART NAME, DESCRIPTION	#	△	REF No.	PART No.	PART NAME, DESCRIPTION
C7			NCB21HK-471X	CAPACITOR 470pF,50V	C2055			QEKJ1EM-106	E CAPACITOR 10μF,25V
C8			NCB31CK-104X	CAPACITOR 0.1μF,16V	C2201			QEKJ1EM-106	E CAPACITOR 10μF,25V
C9			NCB31EK-103X	CAPACITOR 0.01μF,25V	C2202			QEKJ1HM-475	E CAPACITOR 4.7μF,50V
C10			NDC31HJ-151X	CAPACITOR 150pF,50V	C2203			QEKJ1HM-475	E CAPACITOR 4.7μF,50V
C11			NCB31CK-104X	CAPACITOR 0.1μF,16V	C2204			QEKJ0JM-336	E CAPACITOR 33μF,6.3V
C12			NDC31HJ-330X	CAPACITOR 33pF,50V	C2205			QEKJ1EM-106	E CAPACITOR 10μF,25V
C14			NCB31CK-104X	CAPACITOR 0.1μF,16V	C2206			QEKJ1EM-106	E CAPACITOR 10μF,25V
C15			NCB31EK-103X	CAPACITOR 0.01μF,25V	C2207			NCB31EK-153X	CAPACITOR 0.015μF,25V
C16			NCB31CK-104X	CAPACITOR 0.1μF,16V	C2208			NCB31EK-153X	CAPACITOR 0.015μF,25V
C17			QEKJ1HM-335	E CAPACITOR 3.3μF,50V	C2209			QEKJ1EM-106	E CAPACITOR 10μF,25V
C19			QEKJ1HM-225	E CAPACITOR 2.2μF,50V	C2210			QEKJ1EM-106	E CAPACITOR 10μF,25V
C20			QEKJ1HM-105	E CAPACITOR 1μF,50V	C2211			QEKJ0JM-336	E CAPACITOR 33μF,6.3V
C21			NCB31CK-104X	CAPACITOR 0.1μF,16V	C2212			QEKJ0JM-476	E CAPACITOR 47μF,6.3V
C22			QEKJ0JM-476	E CAPACITOR 47μF,6.3V	C2214			QEKJ1EM-106	E CAPACITOR 10μF,25V
C23			NCB31CK-223X	CAPACITOR 0.022μF,16V	C2215			QEKJ1EM-106	E CAPACITOR 10μF,25V
C24			QCFB1HZ-104	CAPACITOR 0.1μF,50V	C2216			QEKJ1CM-476	E CAPACITOR 47μF,16V
C25			NDC31HJ-5R0X	CAPACITOR 5pF,50V	C2218			QEKJ1EM-106	E CAPACITOR 10μF,25V
C26			NCB31CK-223X	CAPACITOR 0.022μF,16V	C2219			QEKJ1CM-226	E CAPACITOR 22μF,16V
C27			NCB31EK-223X	CAPACITOR 0.022μF,25V	C2220			QEKJ1EM-106	E CAPACITOR 10μF,25V
C28			QEKJ1HM-335	E CAPACITOR 3.3μF,50V	C2221			NCB21EK-223X	CAPACITOR 0.022μF,25V
C29			NCB31EK-472X	CAPACITOR 0.0047μF,25V	C2222			NCB31EK-103X	CAPACITOR 0.01μF,25V
C30			QEKJ1HM-474	E CAPACITOR 0.47μF,50V	C2251			NCB21HK-103X	CAPACITOR 0.01μF,50V
C31			QEKJ0JM-476	E CAPACITOR 47μF,6.3V	C2252			NCB31EK-103X	CAPACITOR 0.01μF,25V
C32			QDYB1CM-103Y	CAPACITOR 0.01μF,16V	C2253			NCB31EK-103X	CAPACITOR 0.01μF,25V
C33			QEKJ1HM-225	E CAPACITOR 2.2μF,50V	C2254			QEKJ0JM-476	E CAPACITOR 47μF,6.3V
C34			NCB21EK-104X	CAPACITOR 0.1μF,25V	C2255			NCB31EK-103X	CAPACITOR 0.01μF,25V
C35			NCB31CK-333X	CAPACITOR 0.033μF,16V	C2256			NCB21HK-103X	CAPACITOR 0.01μF,50V
C36			QEKJ1EM-475	E CAPACITOR 4.7μF,25V	C2257			NCB31EK-103X	CAPACITOR 0.01μF,25V
C37			QEKJ1EM-475	E CAPACITOR 4.7μF,25V	C2259			QEKJ1HM-334	E CAPACITOR 0.33μF,50V
C38			QEKJ0JM-476	E CAPACITOR 47μF,6.3V	C2260			NRSA63J-684X	MG RESISTOR 680kΩ, 1/16W
C39			NCB31CK-223X	CAPACITOR 0.022μF,16V	C3001			NCB21EK-223X	CAPACITOR 0.022μF,25V
C40			QEKJ1CM-106	E CAPACITOR 10μF,16V	C3003			QEKJ1CM-106	E CAPACITOR 10μF,16V
C51			QERF1HM-105	E CAPACITOR 1μF,50V	C3004			NDC31HJ-101X	CAPACITOR 100pF,50V
C54			NRSA63J-0R0X	MG RESISTOR 0Ω, 1/16W	C3008			NCB21HK-103X	CAPACITOR 0.01μF,50V
C62			NCB31CK-104X	CAPACITOR 0.1μF,16V	C3011			QEKJ1HM-475	E CAPACITOR 4.7μF,50V
C109			NCB31AK-224X	CAPACITOR 0.22μF,10V	C3016			NDC21HJ-180X	CAPACITOR 18pF,50V
C110			NDC31HJ-331X	CAPACITOR 330pF,50V	C3017			NDC21HJ-270X	CAPACITOR 27pF,50V
C201			QERF0JM-476	E CAPACITOR 47μF,6.3V	C3019			NRSA02J-0R0X	MG RESISTOR 0Ω, 1/10W
C202			NCB21EK-223X	CAPACITOR 0.022μF,25V	C3023			NCF21CZ-105X	CAPACITOR 1μF,16V
C203			QERF1HM-105	E CAPACITOR 1μF,50V	C3035			NCB31EK-223X	CAPACITOR 0.022μF,25V
C205			NDC21HJ-101X	CAPACITOR 100pF,50V	C3036			QERF0JM-107	E CAPACITOR 100μF,6.3V
C207			NCF21CZ-105X	CAPACITOR 1μF,16V	C3041			NDC21HJ-101X	CAPACITOR 100pF,50V
C208			NRSA02J-0R0X	MG RESISTOR 0Ω, 1/10W	C3042			NDC21HJ-101X	CAPACITOR 100pF,50V
C210			NRSA02J-0R0X	MG RESISTOR 0Ω, 1/10W	C3049			NCB21HK-103X	CAPACITOR 0.01μF,50V
C901			QETN0JM-477	E CAPACITOR 470μF,6.3V	C3050			NCB21HK-103X	CAPACITOR 0.01μF,50V
C904			NCB21EK-223X	CAPACITOR 0.022μF,25V	C3052			NCB21HK-103X	CAPACITOR 0.01μF,50V
C2001			QEKJ1HM-475	E CAPACITOR 4.7μF,50V	C3053			QDYB1CM-103Y	CAPACITOR 0.01μF,16V
C2002			QEKJ1HM-105	E CAPACITOR 1μF,50V	C4001			NCB21EK-104X	CAPACITOR 0.1μF,25V
C2003			QEKJ0JM-476	E CAPACITOR 47μF,6.3V	C4002			QERF1HM-105	E CAPACITOR 1μF,50V
C2005			QEKJ1HM-475	E CAPACITOR 4.7μF,50V	C4004			QERF1AM-336	E CAPACITOR 33μF,10V
C2006			NCB31EK-123X	CAPACITOR 0.012μF,25V	C4006			NCB21EK-563X	CAPACITOR 0.056μF,25V
C2007			QEKJ1CM-226	E CAPACITOR 22μF,16V	C4007			NCB21HK-103X	CAPACITOR 0.01μF,50V
C2008			QEKJ1HM-475	E CAPACITOR 4.7μF,50V	C4009			NCB21HK-102X	CAPACITOR 0.001μF,50V
C2009			NCB31HK-102X	CAPACITOR 0.001μF,50V	C4010			QERF0JM-476	E CAPACITOR 47μF,6.3V
C2010			NCB31HK-222X	CAPACITOR 0.0022μF,50V	C4011			NCB21CK-224X	CAPACITOR 0.22μF,16V
C2011			QEKJ1HM-475	E CAPACITOR 4.7μF,50V	C4014			NDC21HJ-101X	CAPACITOR 100pF,50V
C2012			QEKJ1HM-475	E CAPACITOR 4.7μF,50V	C4015			NDC21HJ-101X	CAPACITOR 100pF,50V
C2051			QCB1HK-331	CAPACITOR 330pF,50V	C4019			NCB21HK-103X	CAPACITOR 0.01μF,50V
C2052			QFN31HJ-823	F CAPACITOR 0.082μF,50V	C4022			NDC21HJ-101X	CAPACITOR 100pF,50V
C2053			NCB21HK-472X	CAPACITOR 0.0047μF,50V	△ C5001			QFZ9073-683	F CAPACITOR 0.068μF,250V
C2054			NCB21EK-223X	CAPACITOR 0.022μF,25V	△ C5004			QCZ9094-472	CAPACITOR 0.0047μF,125V

#	△ REF No.	PART No.	PART NAME, DESCRIPTION
C5006		QETM2DM-476	E CAPACITOR 47μF,200V
C5101		QCZ0212-472	CAPACITOR 0.0047μF,1kV
C5102		QCZ0339-101Z	CAPACITOR 100pF,1kV
C5104		QEKJ1HM-105	E CAPACITOR 1μF,50V
C5105		QFN31HJ-183	F CAPACITOR 0.018μF,50V
C5106		QCBB1HJ-271	CAPACITOR 270pF,50V
C5107		QFV11HJ-104	F CAPACITOR 0.1μF,50V
C5202		QETN1CM-108	E CAPACITOR 1000μF,16V
C5203		QEMT1AM-687	E CAPACITOR 680μF,10V
C5204		QETN2AM-475	E CAPACITOR 4.7μF,100V
C5206		QEKJ1CM-476	E CAPACITOR 47μF,16V
C5207		QEKJ1CM-107	E CAPACITOR 100μF,16V
C5301		QEKJ1CM-107	E CAPACITOR 100μF,16V
C5302		QETN1HM-106	E CAPACITOR 10μF,50V
C5303		QEKJ1CM-107	E CAPACITOR 100μF,16V
C5304		QFLC1HJ-102Z	F CAPACITOR 0.001μF,50V
C5305		QFV91HJ-154	F CAPACITOR 0.15μF,50V
C6029		NRSA02J-0R0X	MG RESISTOR 0Ω,1/10W
C6501		NCB21EK-104X	CAPACITOR 0.1μF,25V
C6502		QEKJ1HM-106	E CAPACITOR 10μF,50V
C6503		QEKJ1HM-105	E CAPACITOR 1μF,50V
C6504		QCFB1HZ-104	CAPACITOR 0.1μF,50V
C6506		QEKJ1HM-105	E CAPACITOR 1μF,50V
C6508		NCB21EK-223X	CAPACITOR 0.022μF,25V
C6509		NCB21EK-104X	CAPACITOR 0.1μF,25V
C6512		NCB21EK-223X	CAPACITOR 0.022μF,25V
C6513		QEKJ1HM-225	E CAPACITOR 2.2μF,50V
C6514		NCB21EK-223X	CAPACITOR 0.022μF,25V
C6515		QEKJ1HM-335	E CAPACITOR 3.3μF,50V
C6516		QEKJ1HM-475	E CAPACITOR 4.7μF,50V
C6517		NCB21CK-224X	CAPACITOR 0.22μF,16V
C7013		NCB21HK-103X	CAPACITOR 0.01μF,50V
C7014		NCB21HK-103X	CAPACITOR 0.01μF,50V
C7041		QEKJ0JM-227	E CAPACITOR 220μF,6.3V
L1		QQL29BJ-100Z	COIL 10μH
L2		QUY153-050Y	IM BUS WIRE
L3		QQL29BJ-100Z	COIL 10μH
L4		QQL29BJ-100Z	COIL 10μH
L5		QQL29BJ-100Z	COIL 10μH
L11		QQL01BJ-120Z	COIL 12μH
L24		QUY153-050Y	IM BUS WIRE
L28		QQL231J-150Y	COIL 15μH
L201		QUY153-050Y	IM BUS WIRE
L203		QQL231J-4R7Y	COIL 4.7μH
L901		QQL29BJ-100Z	COIL 10μH
L2001		QUY153-050Y	IM BUS WIRE
L2201		QUY153-050Y	IM BUS WIRE
L2251		QQL29BJ-100Z	COIL 10μH
L5201		PELN1184	COIL 33μH
L5202		PELN1184	COIL 33μH
L6001		QUY153-050Y	IM BUS WIRE
L6003		QUY153-050Y	IM BUS WIRE
L6032		QUY153-050Y	IM BUS WIRE
L6050		QUY153-050Y	IM BUS WIRE
L6501		QUY153-050Y	IM BUS WIRE
X2		QAX0575-001	CRYSTAL RESONATOR
X3001		QAX0526-001Z	CRYSTAL RESONATOR
S3001		QSW0602-004	PUSH SWITCH,REC SAFETY
S7004		QSW0456-002Z	TACT SWITCH,REW/CH-
S7006		QSW0456-002Z	TACT SWITCH,FF/CH+
S7010		QSW0456-002Z	TACT SWITCH,PLAY

#	△ REF No.	PART No.	PART NAME, DESCRIPTION
S7016		QSW0456-002Z	TACT SWITCH,POWER
S7017		QSW0456-002Z	TACT SWITCH,STOP/EJECT
S7018		QSW0456-002Z	TACT SWITCH,REC
S7019		QSW0456-002Z	TACT SWITCH,PAUSE/CH
K2001		NRSA63J-0R0X	MG RESISTOR 0Ω,1/16W
K2002		NRSA63J-0R0X	MG RESISTOR 0Ω,1/16W
K2003		NRSA63J-0R0X	MG RESISTOR 0Ω,1/16W
K2004		NRSA63J-0R0X	MG RESISTOR 0Ω,1/16W
K5101		QQR0678-001Z	FERRITE BEAD
K5102		QUY153-050Y	IM BUS WIRE
PC3001		GP3S123	IC(PHOTO SENSOR)
PC3002		GP3S123	IC(PHOTO SENSOR)
△ PC5101		PC817X	IC(PHOTO COUPLER)
T2051		PELN0832	OSC TRANSFORMER
△ T5001		QQS0083-001	SW TRANSFORMER
ET1		LP30859-001A	EARTH PLATE
△ CD1		QMPD340-165-K	POWER CORD
SD1		LP20990-001A	SHEILD PLATE
DI7001		LTG-Y2K12M-01J	LE DIODE
△ TB1		LP20978-001A	TERMINAL BOARD
TU6001		QAU0207-001	TUNER
FC5001		QNG0006-001Z	FUSE CLIP,F5001
FC5002		QNG0006-001Z	FUSE CLIP,F5001
J2		QNN0286-002	PIN JACK,A/V OUT
J7101		QNN0381-001	PIN JACK,FRONT IN
△ LF5002		QQR0532-001	LINE FILTER
SG5001		QUY160-150Y	IM BUS WIRE
△ VA5001		QAF0023-431Z	VARIATOR
CN1		QGF1028C1-11	FPC CONNECTOR,(1-11)U.DRUM
CN2001		QGF1207C1-07	FPC CONNECTOR,(1-7)A/C HEAD
CN2002		QGB2532J1-02	CONNECTOR,(1-2)FE HEAD
CN3001		QGB2015M2-08	CONNECTOR,(1-8)CAPSTAN MOTOR
CN3002		QGF1207C1-05	FPC CONNECTOR,(1-5)DRUM MDA
CN3003		QGB2532J1-02	CONNECTOR,(1-2)LOADING MOTOR
CN3004		QGB2534J2-04	CONNECTOR,(1-4)ROTARY ENCODER
△ CP4001		ICP-N25	CIRCUIT PROTECTOR
△ CP5302		ICP-N25	CIRCUIT PROTECTOR
△ F5001		QMF51N2-1R25J1	FUSE T1.25A,AC250V

A/C HEAD BOARD ASSEMBLY <12>

PW1	LP10122-01A1	A/C HEAD BOARD ASSY
CN1	QGF1208F1-07	FPC CONNECTOR

LOADING MOTOR BOARD ASSEMBLY <55>

PW2	LP10122-01A2	LOADING MOTOR BOARD ASSY
CN1	QGB2533K1-02	CONNECTOR